



Stainless Steel Cryogenic Transfer Hose CGA 440 Hose Assembly

For use in the Transfer of High Pressure Oxygen

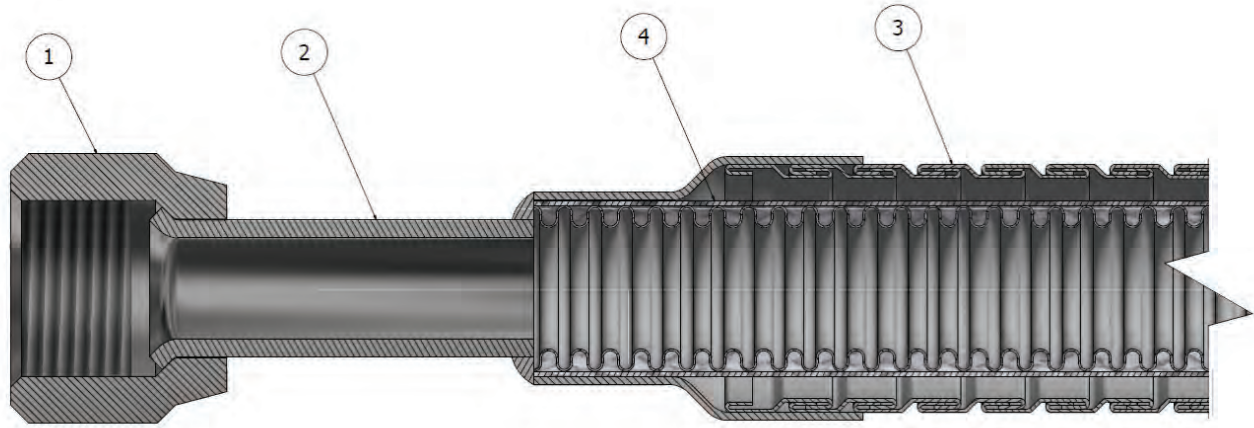


OmegaFlex® Oxygen Transfer hoses are fully constructed from stainless steel and are rated for pressures up to 1100 psig.

- **Constructed with 1/2" 316ss hose and 304ss braid**
- **304ss outer protective casing**
- **Available in custom lengths**
- **Stainless steel CGA 440 end connections**

- **Exceptional flexibility, hose resists kinking**
- **Cleaned for oxygen service**

Meets all applicable FDA and CGA Guidelines Applications, Cryo-biological and medical systems and Gas filling plants

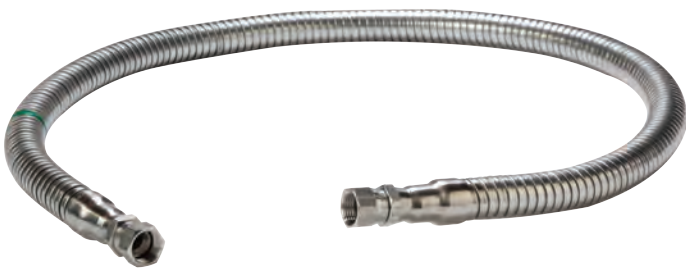


PARTS LIST

ITEM #	DESCRIPTION	MATERIAL
1	FEMALE CGA 440 NUT	316 SS
2	CGA440 TUBE STUB	316 SS
3	OUTER INTERLOK FLOPPY CASING	304 SS
4	1/2" DIAMETER BRAIDED CORE	316SS CORE / 304 BRAID

CGA HOSE SPECIFICATIONS

Nominal Size	M.A.W.P (psig)	Minimum Centerline Bend Radius (Inch)		O.D. (Inch)
		Static	Dynamic	
1/2"	1100	4.5	7	1.13



Contact OmegaFlex® with your specification and we will engineer a custom hose assembly for you.

To view OmegaFlex's entire product line, visit omegaflex.com

For more information on CounterStrike and TracPipe PS-II call 1-800-671-8622

For MediTrac and DoubleTrac call 1-800-355-1039

OmegaFlex®

OmegaFlex, Inc.

451 Creamery Way • Exton, PA 19341

ISO 9001 Registered Company

IND-157 11/21