



## DoubleTrac® Chase Pipe Entry Fitting Installation Instructions

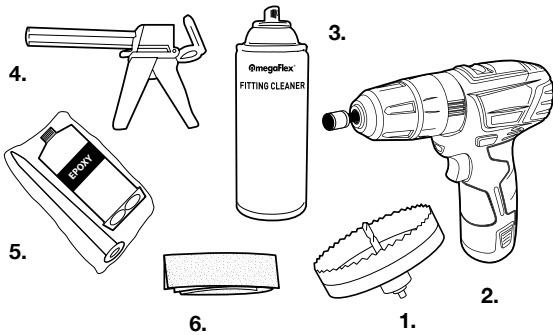
### Important Information Follow All Instructions

#### DOUBLETRAC® CHASE PIPE ENTRY FITTING INSTALLATION

##### Tools and Components:

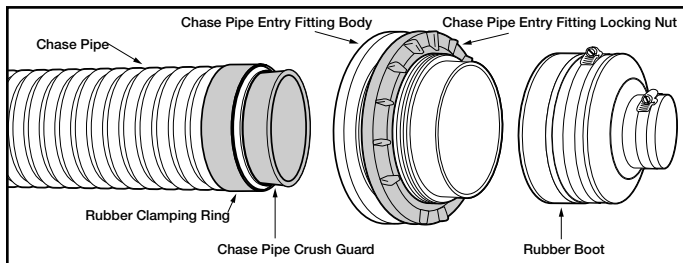
Required accessories not included with Chase Pipe Entry Fitting:

1. 6" Hole Saw
2. 5/16" Nut Driver/Drill
3. Part No. UGF-EF-CLR (Chase Pipe Entry Fitting Cleaner)
4. Part No. UGF-APGUN-50HD (50ml Heavy Duty Application Gun)
5. Part No. UGF-EPB-50 (Epoxy Bonder)
6. Sand Paper

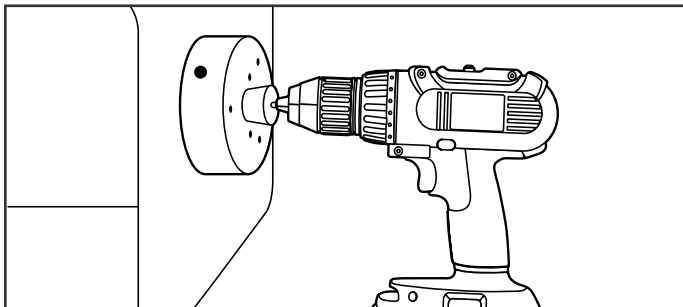


##### Chase Pipe Fitting Parts:

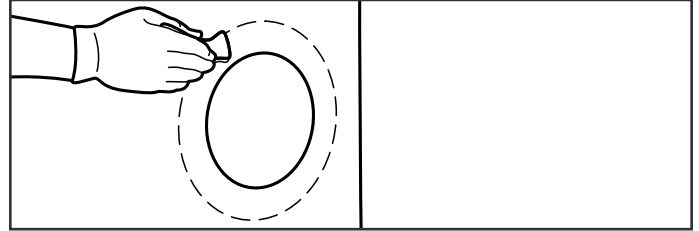
DoubleTrac® Size	Chase Pipe Entry Fitting P/N#
1"	UGF-OFDT-B6-1.6
1-1/2"	UGF-OFDT-B6-2.4
2"	UGF-OFDT-B6-3.0



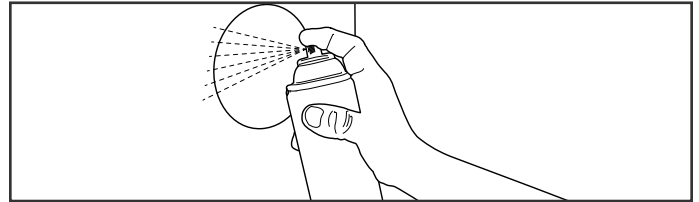
1. Drill through sump wall using a 6" hole saw.



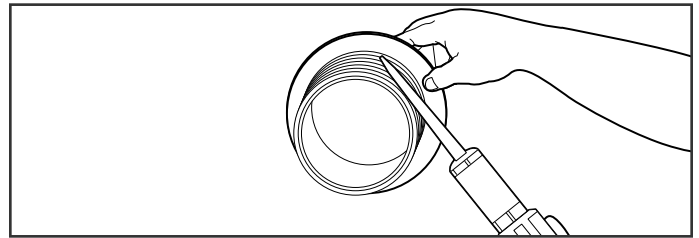
2. Sand 1-1/2" around the throughput hole on interior and exterior of sump.



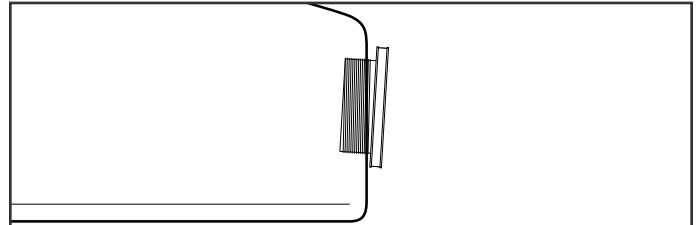
3. Clean all surfaces using Part No. UGF-EF-CLR and allow to dry.



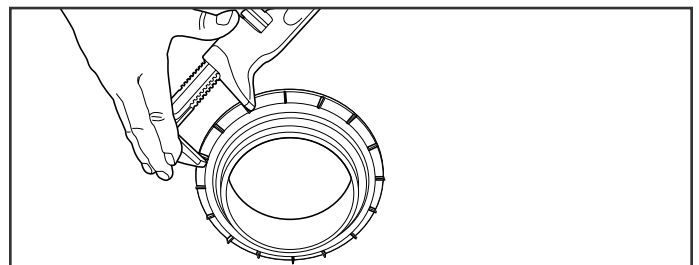
4. Apply an ample amount of Part No. UGF-EPB-50 bonder to the Ribbed Sealing surface of entry fitting. Ensure enough bonder is used for complete coverage.



5. Install the body of the Chase Pipe Entry Fitting through the sump wall.



6. On the interior of sump thread locking nut onto entry fitting body. Use a Pipe Wrench to tighten locking nut until snug.



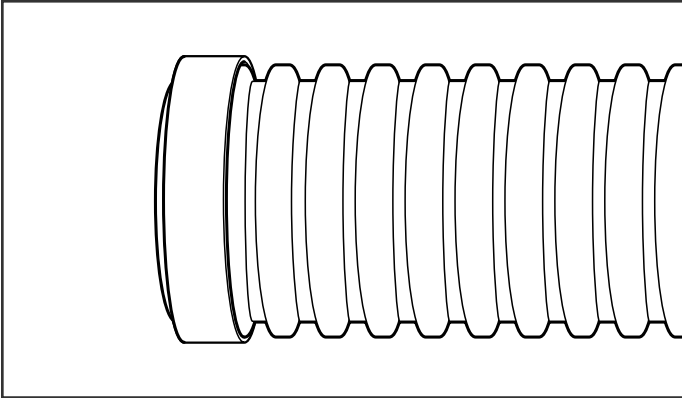
**CAUTION**

Do not overtighten locking nut.

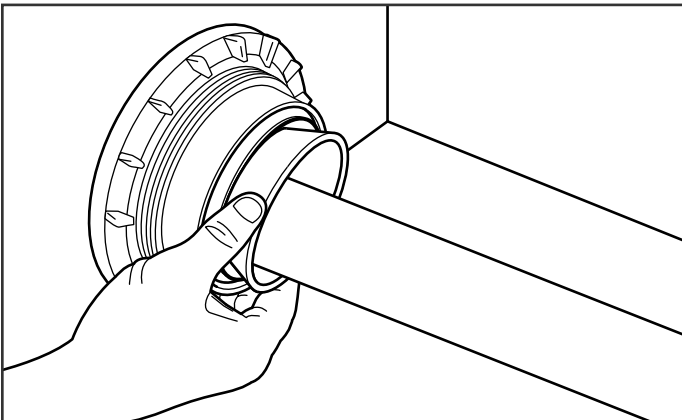
# DoubleTrac® Chase Pipe Entry Fitting Installation Instructions

## Important Information Follow All Instructions

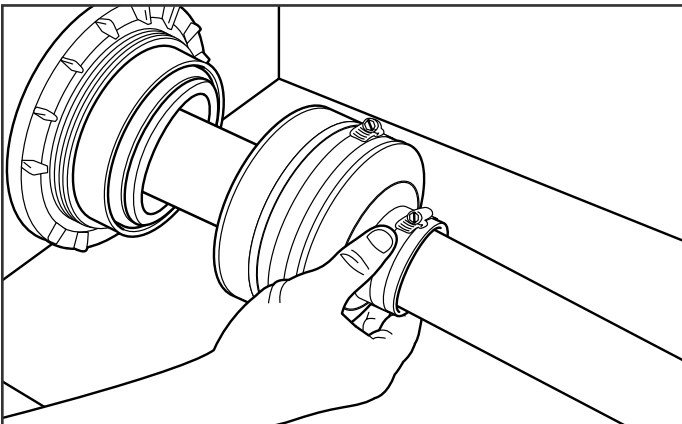
7. Trim face of chase pipe evenly in the valley of a corrugation. Install rubber clamping ring into the valley after the first corrugation. Slide chase pipe into entry fitting until the face of the rubber clamping ring is flush with the face of the chase pipe entry fitting body.



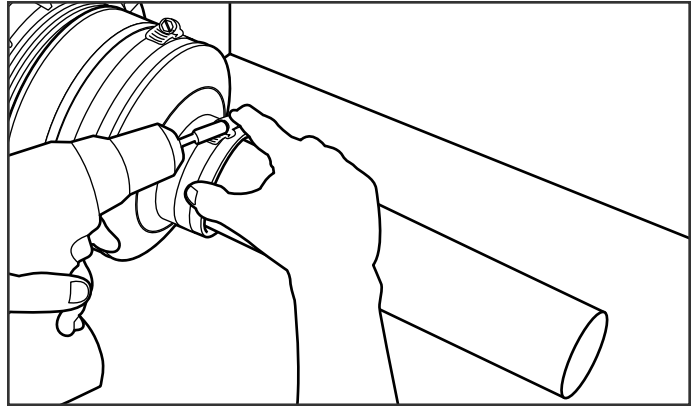
8. Insert DoubleTrac® piping through chase piping to the center point of sump. Insert Chase Pipe Crush Guard into the inside of chase piping.



9. Ensure Rubber Clamping Ring is aligned under the Rubber Boot band clamp per Assembled Chase Pipe Cross Section View. Slide Rubber Boot over DoubleTrac® piping and ensure the Rubber Boot bottoms out onto the rubber edge of the entry fitting.



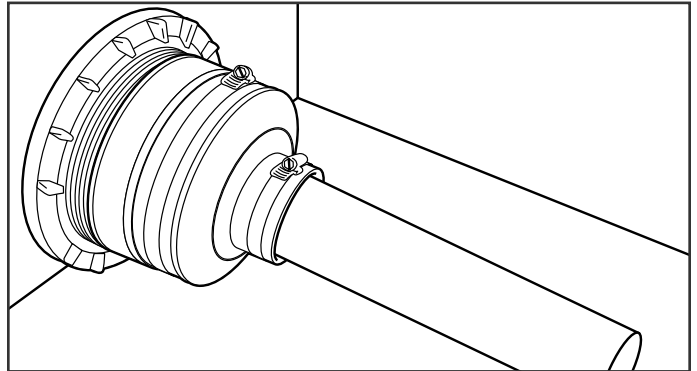
10. Use a 5/16" Nut Driver/Drill to tighten the band clamps.



### ⚠ CAUTION

Do not overtighten band clamps.

11. Refer to Page 4 of the *DoubleTrac® Design and Installation Guide* for instructions on how to install DoubleTrac® Field Attachable fitting.



Assembled Chase Pipe Cross Section View:

